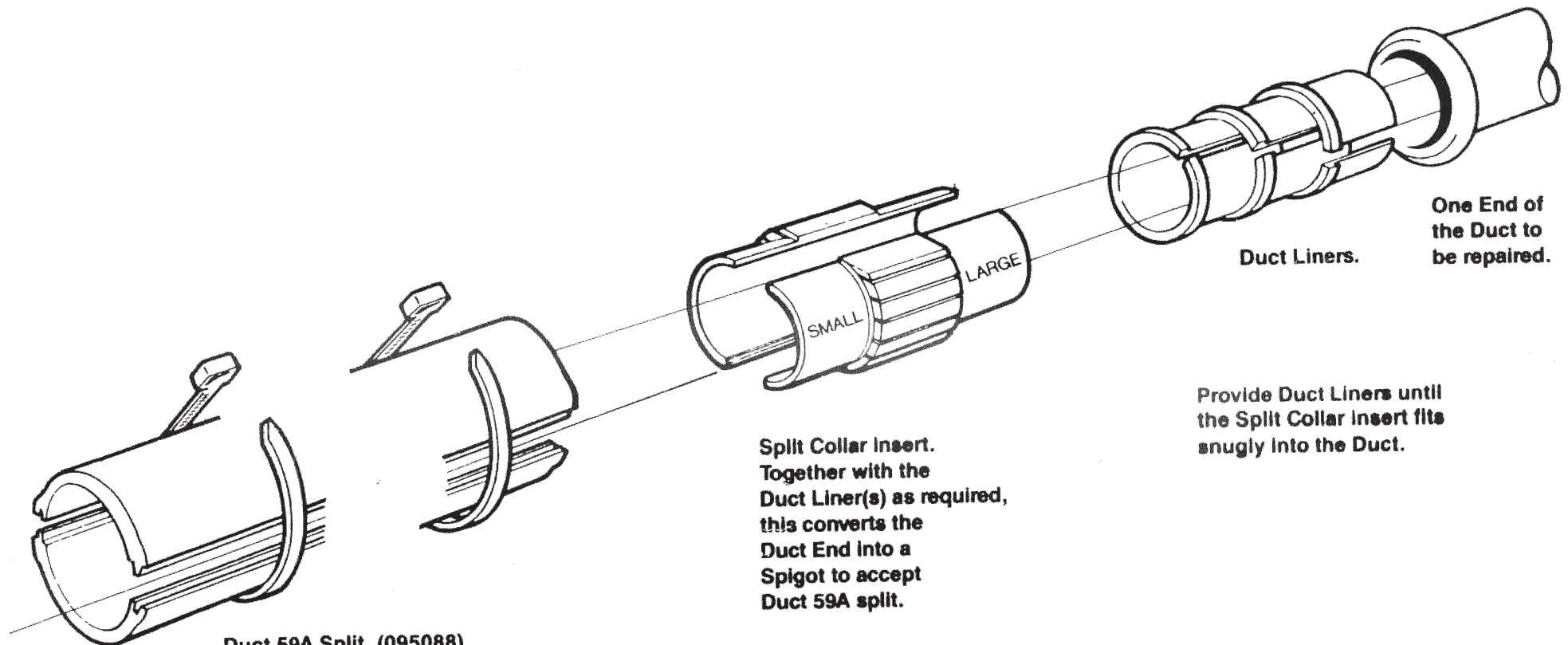


openreach

DUCT REPAIR KIT 2A (095089)



Duct 59A Split. (095088)
 Tongued and Grooved
 Duct sections clamped
 together with Straps Cable fixing 10A,
 using Tensioner 8A(127234)

Split Collar Insert.
 Together with the
 Duct Liner(s) as required,
 this converts the
 Duct End into a
 Spigot to accept
 Duct 59A split.

Provide Duct Liners until
 the Split Collar Insert fits
 snugly into the Duct.

The combination of a Split Collar insert
 and up to three Duct Liners provides compatibility
 for Duct Bore diameters from 73mm to 80mm inclusive
 in 1mm intervals. Note that the two Spigot Ends
 of the assembled Split Collar insert are NOT the same,
 being 73mm (Small) and 74mm (Large) Diameter respectively.
 Either Spigot will accept Duct 59A split.