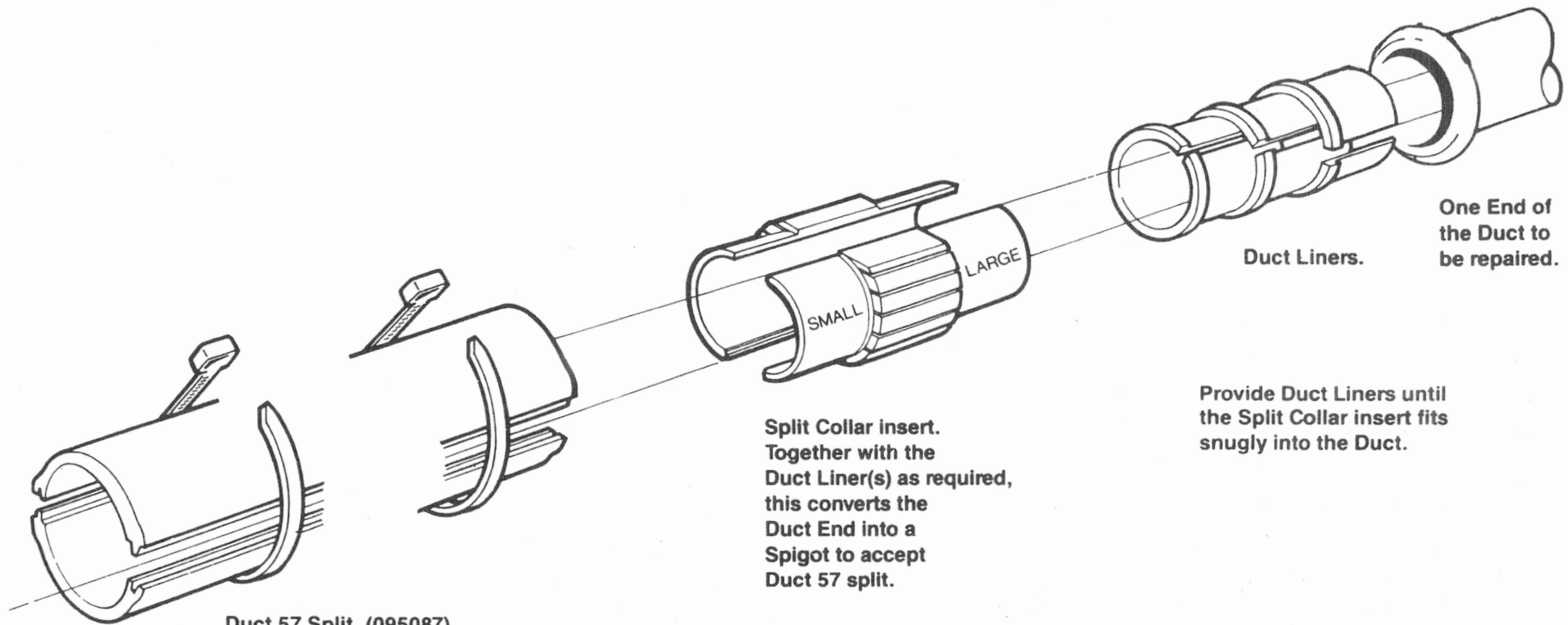


DUCT REPAIR KIT 4A (095090)



Duct 57 Split. (095087)
Tongued and Grooved
Duct sections clamped
together with Straps Cable fixing 10A,
using Tensioner 8A(127234)

Split Collar insert.
Together with the
Duct Liner(s) as required,
this converts the
Duct End into a
Spigot to accept
Duct 57 split.

**Provide Duct Liners until
the Split Collar insert fits
snugly into the Duct.**

Duct Liners.

**One End of
the Duct to
be repaired.**

The combination of a Split Collar insert and up to three Duct Liners provides compatibility for Duct Bore diameters from 98mm to 105mm inclusive in 1mm intervals. Note that the two Spigot Ends of the assembled Split Collar insert are NOT the same, being 98mm (Small) and 99mm (Large) Diameter respectively. Either Spigot will accept Duct 57 split.