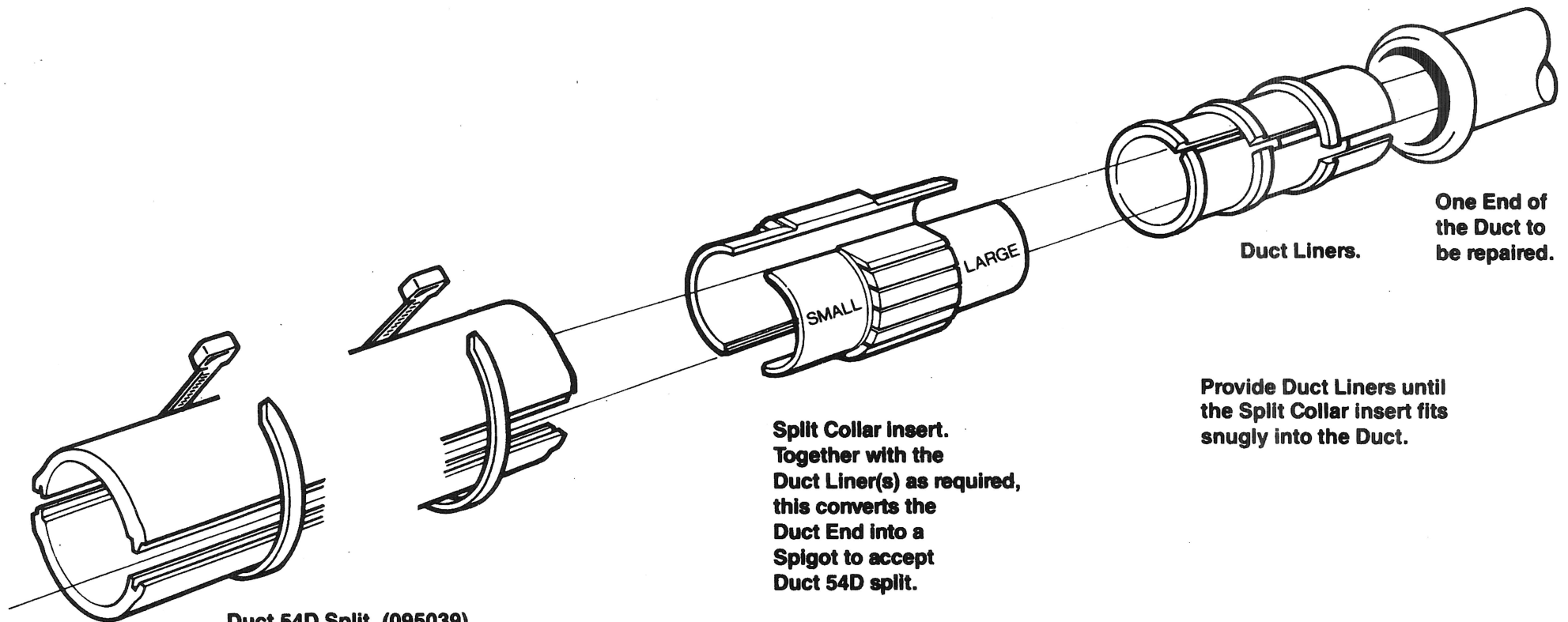


DUCT REPAIR KIT 3A (095051)



Duct 54D Split. (095039)
Tongued and Grooved
Duct sections clamped
together with Straps Cable fixing 10A,
using Tensioner 8A(127234)

Split Collar Insert.
Together with the
Duct Liner(s) as required,
this converts the
Duct End into a
Spigot to accept
Duct 54D split.

Duct Liners.
One End of
the Duct to
be repaired.

Provide Duct Liners until
the Split Collar insert fits
snugly into the Duct.

The combination of a Split Collar insert and up to three Duct Liners provides compatibility for Duct Bore diameters from 88mm to 95mm inclusive in 1mm intervals. Note that the two Spigot Ends of the assembled Split Collar insert are NOT the same, being 88mm (Small) and 89mm (Large) Diameter respectively. Either Spigot will accept Duct 54D split.