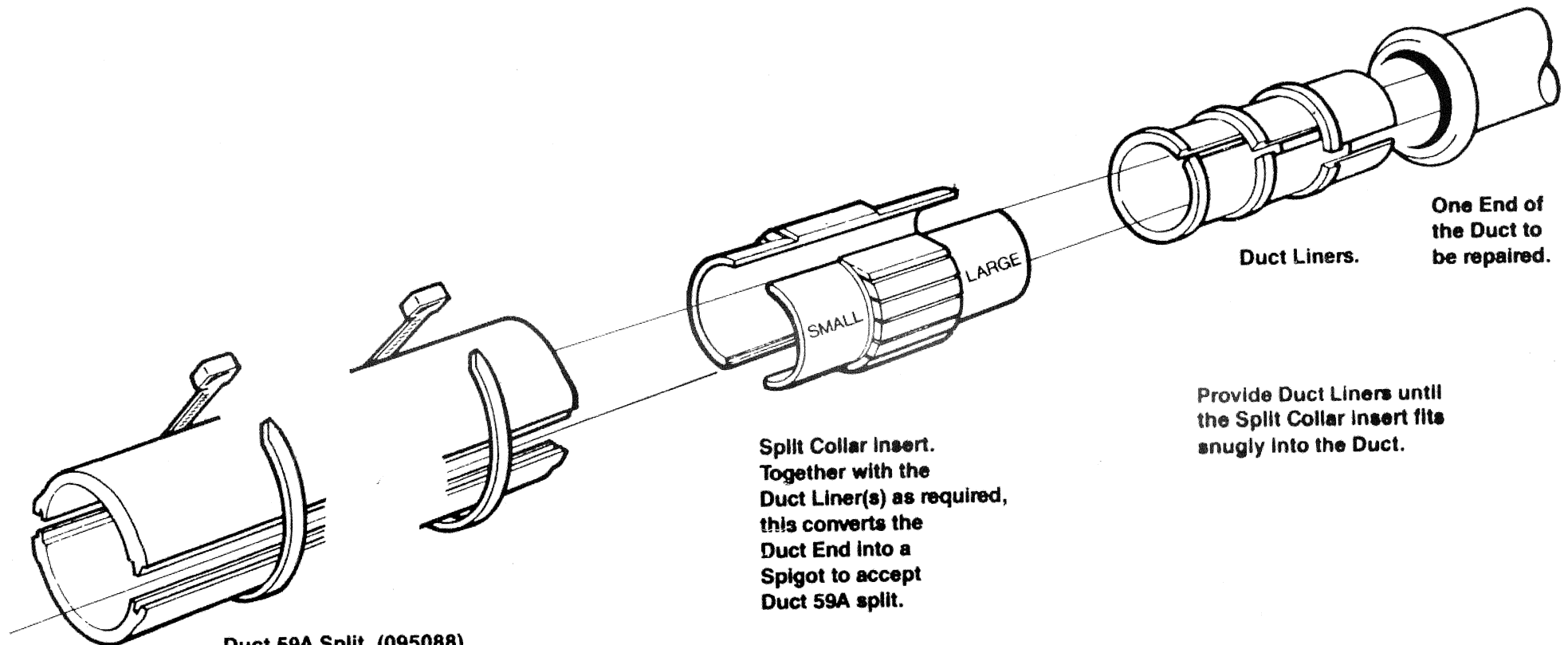


DUCT REPAIR KIT 2A (095089)



Duct 59A Split. (095088)
Tongued and Grooved
Duct sections clamped
together with Straps Cable fixing 10A,
using Tensioner 8A(127234)

Split Collar Insert.
Together with the
Duct Liner(s) as required,
this converts the
Duct End into a
Spigot to accept
Duct 59A split.

Duct Liners.

One End of
the Duct to
be repaired.

Provide Duct Liners until
the Split Collar Insert fits
snugly into the Duct.

The combination of a Split Collar insert
and up to three Duct Liners provides compatability
for Duct Bore diameters from 73mm to 80mm inclusive
in 1mm intervals. Note that the two Spigot Ends
of the assembled Split Collar insert are NOT the same,
being 73mm (Small) and 74mm (Large) Diameter respectively.
Either Spigot will accept Duct 59A split.