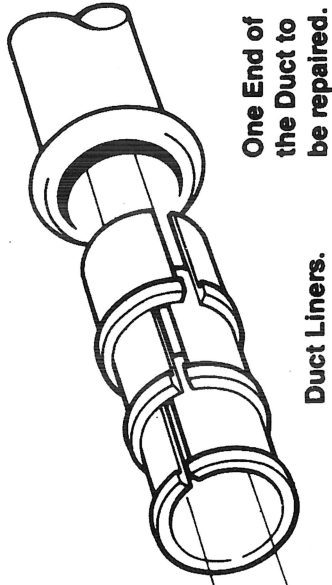


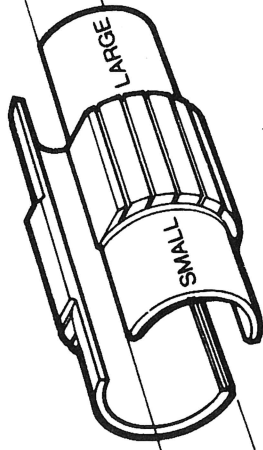
DUCT REPAIR KIT 3A (095051)



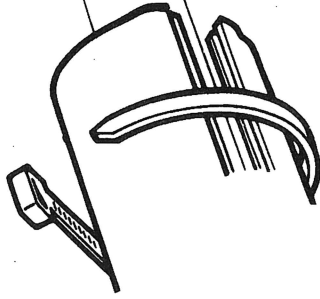
One End of the Duct to be repaired.

Duct Liners.

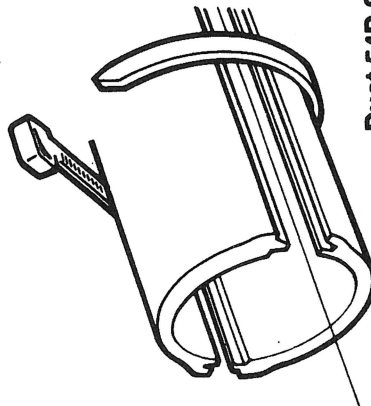
Provide Duct Liners until the Split Collar insert fits snugly into the Duct.



Split Collar Insert.
Together with the Duct Liner(s) as required, this converts the Duct End into a Spigot to accept Duct 54D split.



Duct 54D Split. (095039)
Tongued and Grooved
Duct sections clamped together with Straps Cable fixing 10A, using Tensioner 8A(127234)



The combination of a Split Collar insert and up to three Duct Liners provides compatibility for Duct Bore diameters from 88mm to 95mm inclusive in 1mm intervals. Note that the two Spigot Ends of the assembled Split Collar insert are NOT the same, being 88mm (Small) and 89mm (Large) Diameter respectively. Either Spigot will accept Duct 54D split.