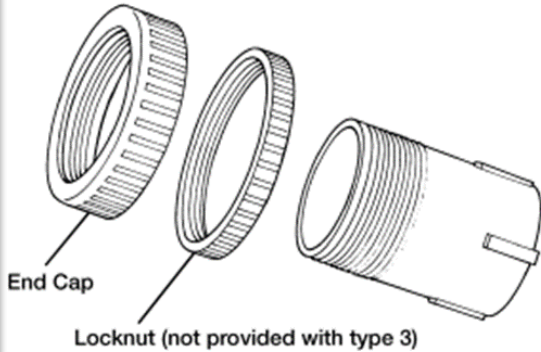
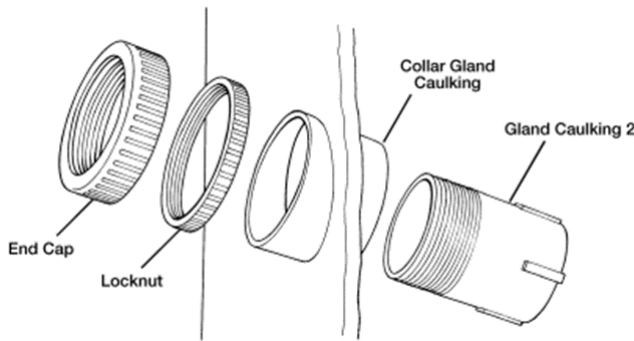


# GLAND CAULKING



| Type | Code  | Use   |
|------|-------|---|
| 2    | 94922 | With Duct 54D, Disc Caulking 1 and Compound 16A. For angled lead-ins use Collar Gland Caulking. (see below) |
| 3    | 95047 | With Duct 56, Disc Caulking 4 and Compound 16A  |
| 4    | -     | With Duct 57, Disc Caulking 3 and Compound 16A  |



| Type | Code  | Angle° | For Lead-in Angle° |
|------|-------|--------|--------------------|
| 2    | 90911 | 85     | 5                  |
| 3    | 90912 | 80     | 10                 |
| 4    | 90913 | 75     | 15                 |
| 5    | 93978 | 90     | 0                  |



| Type | Code  | Use  | Diameter |
|------|-------|--|----------|
| 1    | 91445 | In Gland Caulking 2                          | 92mm     |
| 2    | 94988 | In socket end of Duct 54D                    | 96mm     |
| 3    | 94949 | In socket end of Duct 57 or Gland Caulking 4 | 114mm    |
| 4    | 95048 | In Caulking Gland                            | 55mm     |